

USER MANUAL

INALTO

INALTO.COM.AU

584L Side-by-Side Refrigerator

MODEL CODE/S

ISBS584X



A HIGHER LEVEL OF REFRIGERATION

Dear Customer,

Congratulations on purchasing your refrigerator. The *InAlto* brand is proudly distributed within Australia by Residentia Group Pty Ltd.

Please refer to the warranty card at the rear of this manual for information regarding your product's parts and labour warranty, or visit us online at www.residentiagroup.com.au.

At Residentia Group, we are customer obsessed and our Support Team are there to ensure you get the most out of your appliance. Should you want to learn more about the various functions, our Support Team are here to help.

You can use our online Support Centre at anytime by visiting <http://support.residentiagroup.com.au>, or you can contact us via phone by dialling: 1300 11 HELP (4357).

It is important that you read through the following use and care manual thoroughly to familiarise yourself with the installation and operation requirements of your appliance to ensure optimum performance.

Again, thank you for choosing an *InAlto* appliance and we look forward to being of service to you.

Kind Regards,
The Residentia Team



Safety Notes	04
Your Appliance	07
Operating Instructions	08
Cleaning and Maintenance	10
Technical Information	10
Troubleshooting	11
Warranty	12

Customer Care

InAlto recommends the use of original spare parts.

When contacting our customer service team, please ensure that you have the following information at hand (which can be found on your appliances' rating plate).

- Model Number; and,
- Serial Number.

P . 1300 11 4357

E. support@residentiagroup.com.au

Safety Notes

1. Conditions of use

This appliance is intended to be used in household and similar applications such as farm houses or by clients in serviced apartments, holiday apartments and other residential type environments.

2. Safety instructions

Before the installation and use of the appliance, carefully read the supplied instructions. The manufacturer is not responsible if an incorrect installation and use causes injuries and damages. Always keep the instructions with your appliance for future reference.

Warning! To prevent any damages to your and others' life or property, you have to follow the safety notes.

Warning! Caution, risk of fire!

2.1 Children & vulnerable people safety

Warning! Risk of suffocation, injury or permanent disability.

- This appliance can be used by children aged 8 years and above and persons with reduced physical, sensory or mental capabilities or lack of experience and knowledge if they have been given supervision or instruction concerning use of the appliance in a safe way and understand the hazards involved.
- Children shall not play with the appliance. Cleaning and user maintenance shall not be made by children without supervision.
- Keep all packaging away from children.
- Keep all detergents away from children.
- Keep children and pets away from the appliance door when it is open.
- Cleaning and user maintenance shall not be made by children without supervision.

2.2 Installation

- Remove all the packaging from around the appliance, along with any foam and tape within the appliance. Ensure packaging materials are kept away from Children.
- Do not install or use a damaged appliance.
- Obey the installation instructions supplied with the appliance.
- Make sure that the floor where you install the appliance is flat, stable, heat resistant and clean.
- Do not install or use the fridge where the temperature is less than 5°C or more than 35°C.
- Keep ventilation openings, in the appliance enclosure or in the built-in structure, clear of obstruction.
- Always be careful when you move the appliance because it is heavy.
- Always move the appliance vertically.
- The rear surface of the appliance must be put against the wall.
- Make sure that there is air circulation between the appliance and its surrounds.
- Avoid installing the appliance on carpet as this can obstruct ventilation.
- When the appliance is put in its permanent position, check if it is fully level with the aid of a spirit level. If it is not, adjust the feet until it is.
- Do not store explosive substances such as aerosol cans with flammable propellant in this appliance.
- Never dismantle the refrigerator, never transform refrigerator and be careful to avoid damage to cooling pipes. Maintenance of the refrigerator must be carried out by qualified and licenced professionals, organised by Residentia Group.

R600a refrigerant warning:

- This appliance contains flammable R600a refrigerant. Always avoid safety hazards by carefully installing, handling, servicing and disposing of this appliance.
- Ensure that the tubing of the refrigerant circuit is not damaged during transportation and installation.
- In the event of any damage accidentally occurring, keep the appliance away from open flames and any devices that produce sparks or arcs and luminaries during normal or abnormal operation, and unplug the appliance at the power point. Call our Service Team for necessary action and advice.
- Leaking refrigerant may ignite if a leak occurs.
- The room in which the appliance is installed must be at least 1m³ per 8g of refrigerant. The amount and type of refrigerant in the appliance can be found on the rating plate at the rear of the appliance.

Safety Notes Continued

- It is hazardous for anyone other than an authorised service person to service this appliance.
- In Queensland the authorised service person MUST hold a gas work authorisation for hydrocarbon refrigerants to carry out servicing or repairs which involve the removal of covers.

Electrical Connection

Warning! Risk of fire and electrical shock.

- The appliance must be earthed. The refrigerator power cord has a three-pin plug (grounded) and complies with the standard three-pin socket. NEVER cut off or remove the third PIN of the power cord under any circumstances. After the refrigerator is installed, plugs should be within reach to facilitate use. The power plug must be firmly contacted with the socket, otherwise it might cause a fire.
- The refrigerator use alternating current supply which is 220V-240V, 50Hz. If the voltage fluctuations are larger (over the scope of 187-264V), it may cause some failures, such as the refrigerator not to start, the main control board and compressor works with abnormal sounds, etc.
- Make sure that the electrical information on the rating plate is in compliance with the power supply. If not, contact an electrician.
- Always use a correctly installed shockproof socket.
- Do not use multi-plug adapters and extension cables.
- Make sure there is no damage to the mains plug or the mains cable. Should the power supply cable need to be replaced, this must be carried out by our Service Centre.
- Connect the mains plug to the mains socket only at the end of the installation. Make sure that there is access to the mains plug after the installation. Do not connect the appliance plug with a power connection board.
- Do not pull the mains cable to disconnect the appliance. Always pull the mains plug.
- Do not touch the mains cable or the mains plug with wet hands.
- Do not grasp and drag the power cord to pull out the refrigerator plugs. Hold the plug firmly, and pull out the plug from the socket directly. Do not let power lines are pinned by the refrigerator or trampled by people. Be careful when the refrigerator will be removed from walls. Do not roll or damage power lines. Do not use power lines and plugs when they are damaged or worn out. Go to the service center which the factory assigns to replace power lines if they were worn out or damaged.

2.3 Appliance use

Warning! Risk of fire, explosion, electric shock or damage to the appliance.

- This appliance is intended to be used in a internal household application and/or similar environment such as:
 - A staff kitchen area of a business or office;
 - Regional accommodation including hotels, motels and bed & breakfasts;
 - Catering services and similar applications.
- Do not change the specification of this appliance.
- Do not sit or stand on the open door, or allow children to climb on the door.
- Do not use mechanical devices or other means to accelerate the defrosting process, other than those recommended by manufacturer.
- Do not use or store electrical appliances inside the food storage compartments of the appliance, unless they are of the type recommended by the manufacturer.
- The appliance has to be unplugged after use and before carrying out user maintenance on the appliance.
- Do not store explosive substances such as aerosol cans with a flammable propellant in this appliance.
- Do not use flammable solvent near refrigerator, so as to avoid fire.
- After the refrigerator is running, do not touch the icy surface of the freezer with hands, particularly when hands are wet. It may cause frostbite.
- The gap between the door and the refrigerator body is very tight to ensure a good seal. Be careful not to insert your hands into this gap (particularly when the door is opening or closing) in order to prevent injury to your fingers. Avoid letting children near the refrigerator when opening and closing the doors.
- Never place bottles of beer, or soft drinks in the freezer. They may explode due to expansion.

Safety Notes Continued

- Always pull out the plug during a power failure or when cleaning. Wait for 5 minutes or longer when reconnecting the plug. It may damage the compressor due to continuous start.

2.4 Care and Cleaning

Warning! Risk of injury or damage to the appliance.

- Before maintenance, always switch the power off at the power outlet of the appliance and disconnect the mains plug from the socket.
- Never spray and/or rinse the refrigerator with water and ensure that the refrigerator isn't installed in a wet environment so as not to affect the electrical insulation of the refrigerator.
- Do not use steam to clean the appliance.
- Before first use, clean the appliance with a moist soft cloth. Only use neutral detergents. Do not use abrasive products, abrasive cleaning pads, solvents or metal objects.

2.5 Product Disposal

Warning! Risk of injury or suffocation.

- Disconnect the appliance from the mains supply.
- Cut off the mains cable and discard it.
- Remove the doors to prevent children and pets from becoming trapped within the appliance.

2.6 Transport

- Always move the appliance cautiously and in an upright position.
- The appliance must not be tilted on an angle greater than 45 degrees. Allow the appliance to stand vertically after transportation for a few hours before plugging in to a power outlet.
- Do not use the appliance door or door handles to lift the appliance.

2.7 Installation Positioning

- Ensure that your appliance is installed on solid, hard and flat ground, in a level position.
- Please do not place the appliance on a slope, soft carpet or wooden floor.
- Your appliance should only be installed within an internal environment. Do not install the appliance outdoors.
- Ensure there is adequate air circulation around the refrigerator. Above the refrigerator there should be a 30cm allowance, and between the sides and rear a 10cm allowance. This allows for the doors to open freely and any heat to disipate.
- Avoid placing the refrigerator near any heat sources and in direct sunlight.

Level Adjusting

- If the floor is obviously uneven, your appliance feet need to be adjusted. If your appliance isn't level, it will cause your appliance to vibrate, and potentially move from its position.

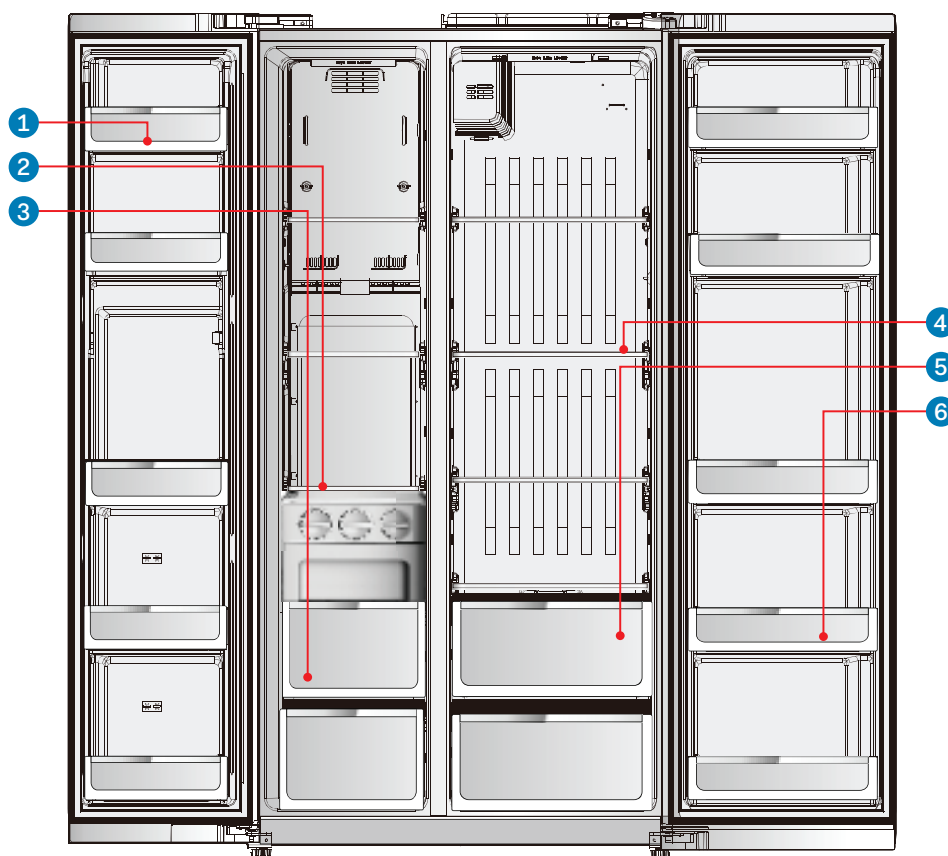
Warning! When pushing the refrigerator into position, please be careful to ensure the power cable isn't damage or squeezed.

2.8 First Use

- When the refrigerator is connected to power for the first time, the refrigerator will be in it's default status. The temperature display will show the actual temperature of the fridge and freezer.
- The refrigerator has a power-down memory mode. In the even power is lost or the refrigerator is switched off, when power is restored it will remember the last temperature settings set.
- You can select a mode of operation: Intelligent Mode or Manual Mode. In Intelligent mode the settings are determined by the fridge, whereas Manual mode allows you to define the temperature settings for both the fridge and freezer components.
- Please allow several hours for the fridge/freezer to reach your desired temperatures. This should also be kept in mind when changing the temperature settings at any time in the future.

Your Appliance

3.1 Product Components



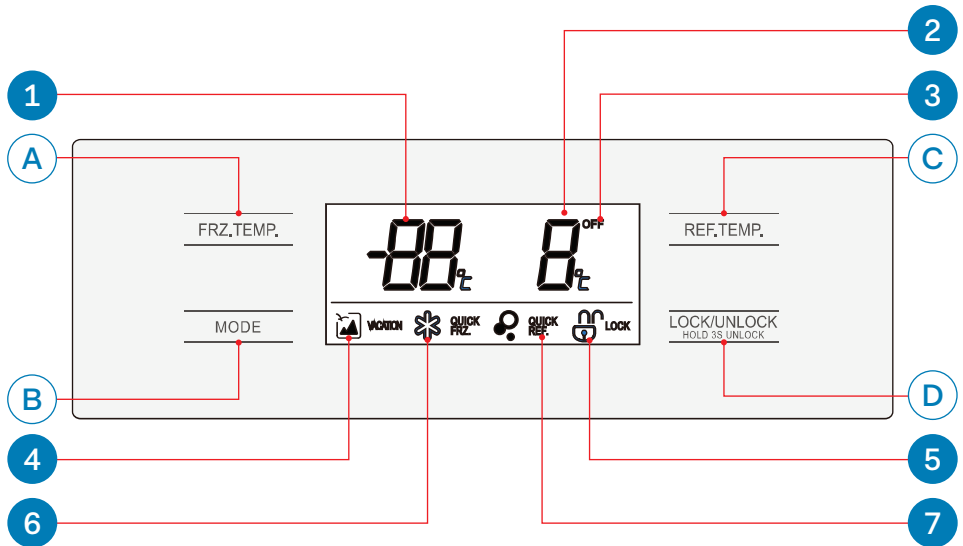
- | | | |
|-----------------------|----------------------|----------------------|
| 1 Freezer door basket | 3 Freezer drawer | 5 Vegetable crisper |
| 2 Freezer glass shelf | 4 Fridge glass shelf | 6 Fridge door basket |

3.2 Your Refrigerator Features

- InAlto Fresh technology: The refrigerator and freezer are separate compartments with individual temperature control. This enables a very stable storage temperature and longer life of fresh food products.
- Gliding and adjustable shelving: The refrigerator has been designed for customisation with ease.
- Frost Free: No manual defrosting required.
- InAlto Quick Freeze: After inserting new foods in to your freezer you can use the InAlto Quick Freeze function to rapidly cool the compartment, speeding up the freezing process.
- InAlto Quick Cool: After inserting new foods in to your fridge you can use the InAlto Quick Cool function to rapidly cool the compartment, speeding up the cooling process.
- Highly effective insulation: Thick foam and anti-heat layers used in the refrigerators construction, ensure low energy consumption.
- Door Alarm: If the door is left open for extended periods of time, the refrigerator will sound an alarm to alert you.
- LED display screen: The LED display located in the door of the refrigerator provides temperature settings information at the touch of a button.

Operating Instructions

4.1 LED Display/Control Panel



- | | | | | | |
|---|--------------------------|---|------------------------|---|---------------------|
| A | Freezer temp. adjustment | 1 | Freezer temperature | 5 | Child Lock On/Off |
| B | Mode button | 2 | Fridge temperature | 6 | InAlto Quick Freeze |
| C | Fridge temp. adjustment | 3 | Fridge Compartment Off | 7 | InAlto Quick Cool |
| D | Child Lock | 4 | Vacation Mode | | |

4.2 Child Lock

- When the Child Lock is active, the lock symbol (4) will be displayed. Conversely, when it is not active, the symbol will not be displayed.
- To activate or de-activate the child lock, press and hold the Lock/Unlock button (D) for 3 seconds.
- To use the Vacation mode, InAlto Quick Freeze or InAlto Quick Cool, the refrigerator must not have the Child Lock engaged.

4.3 Vacation Mode

- Vacation Mode allows your refrigerator to operate at maximum energy efficiency when you will be away from your appliance for an extended period.
- To activate Vacation Mode, simply press the Mode button (B) once. The Vacation Mode symbol will be displayed (1). You then need to press the Lock/Unlock button (D) to confirm this setting. The refrigerator will now be operating in Vacation Mode.
- Vacation Mode will automatically be exited when the fridge or freezer door is opened.

4.3 InAlto Quick Freeze function

- To activate the InAlto Quick Freeze function, press the Mode button (B) twice to display the Quick Freeze icon (2) on the display, then press the Lock/Unlock button (D) to confirm the setting. The refrigerator will now be operating the InAlto Quick Freeze function within the freezer compartment.

4.4 InAlto Quick Cool & Quick Freeze functions

- To activate both of the InAlto Quick Freeze and InAlto Quick Cool functions simultaneously, press the Mode button (B) three times to display both the Quick Freeze icon (2) and Quick Cool icon (3) on the display, then press the Lock/Unlock button (D) to confirm the setting. The refrigerator will now be operating the InAlto Quick Cool function within the refrigerator compartment and the InAlto Quick Freeze function within the freezer compartment.

4.5 InAlto Quick Cool function

- To activate the InAlto Quick Cool function, press the Mode button (B) four times to display the Quick Cool icon (3) on the display, then press the Lock/Unlock button (D) to confirm the setting. The refrigerator will now be operating the InAlto Quick Cool function within the refrigerator compartment.

4.6 Refrigerator temperature settings

- Your InAlto refrigerator compartment can have the temperature set between the range of 2°C through to 8°C.
- To set the temperature for the Fridge compartment, press the Ref. Temp button (C) once and the LED temperature display will begin to flash. Press the Ref. Temp button (C) to cycle between the temperature setting between 2°C and 8°C. To confirm your selected temperature, press the Lock/Unlock button (D) once.

Note: If the temperature setting for either the Fridge or Freezer is changed, any active modes (i.e. Vacation Mode, Quick Freeze, etc) will be cancelled.

4.7 Freezer temperature settings

- Your InAlto freezer compartment can have the temperature set between the range of -16°C through to -24°C.
- To set the temperature for the Freezer compartment, press the Frz. Temp button (A) once and the LED temperature display will begin to flash. Press the Frz. Temp button (A) to cycle between the temperature setting between -16°C and -24°C. To confirm your selected temperature, press the Lock/Unlock button (D) once.

4.8 Switch off the Fridge compartment

- To switch off the fridge compartment, press and hold the Ref. Temp button (C) for three seconds. An alarm will sound and the Fridge Compartment Off icon (7) will be displayed. The LED temperature display (6) will also show "--". In this mode, the refrigeration compartment is switched off and no cooling will be occurring. The freezer compartment will continue to function as normal.
- To switch the refrigeration compartment back on, simply press and hold the Ref. Temp button (C) for three seconds. The alarm will sound and the Fridge Compartment Off icon (7) will be removed from the display. The refrigerator compartment will be powered on once again and return to the selected temperature setting.

4.9 Door alarm

- If the fridge door is left open for an extended period of time, the fridge will sound an alarm to alert you.

Cleaning & Maintenance

5. Cleaning Procedures

5.1 Defrosting the freezer

Your InAlto refrigerator uses frost free technology, meaning that the built-in computer will manage the defrost procedure automatically. There is no need to perform a manual defrost.

5.2 Cleaning the refrigerator compartment

Remnants of food in the fridge compartment will cause odours and it is necessary to regularly clean the compartment walls, shelves and baskets.

- Before cleaning, always turn the refrigerator off at the power outlet and remove the plug.
- Use a soft cloth with warm water to clean the refrigerator. For stubborn stains, use warm water with a small amount of detergent.
- Always wipe down any cleaned surfaces with a dry cloth or paper towel to remove residual moisture.

5.3 Replacement of the lights

Your InAlto refrigerator features long life low voltage (12v) LED lighting strips.

In the unlikely event the LED lights should ever fail, then the LED lights should be serviced by the manufacturer or its service agents. Refer to the warranty page for contact details.

5.4 Cleaning of the door seals

Take care to keep the door seals clean. Sticky food and drink can cause seals to stick to the cabinet and tear when you open the door. Wash the seal with a mild detergent and warm water. Rinse thoroughly with clean water and dry using a cloth.

Technical Information

6. Technical Specification

Total Gross Volume	584L
Fridge Gross Volume	349L
Freezer Gross Volume	235L
Foaming Agent	7.0kg
Voltage	220-240V
Frequency	50Hz
Rated Defrost Power	250W
Current	1A
Refrigerant Type	R600a
Refrigerant Charge	78g
Dimensions (w, d, h) mm	895 x 745 x 1788
Product Net Weight	99kg

This product complies with AS/NZS 60335.1:2011+A1:2012 and AS/NZS 60335.2.24:2010+A1:2013 for electrical safety, and with EN 55014-1:2006+A2:2011 for electromagnetic compatibility.

Troubleshooting

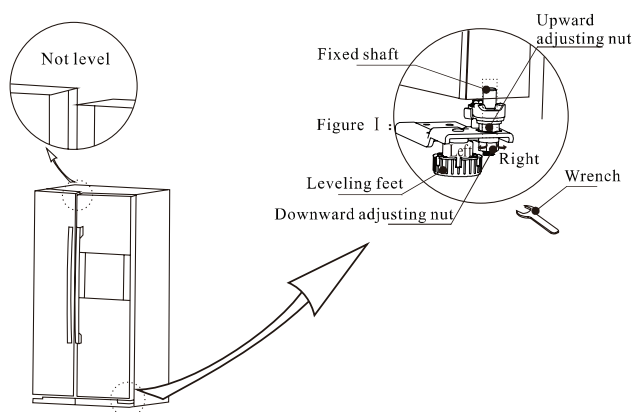
7. Troubleshooting

Warning! Only authorised technicians can carry out repairs.

Before contacting our customer service team, please refer to the table below to see if your fault can be fixed by yourself. Should a service technician visit be arranged and it's found there are no faults with the appliance, a call out charge will apply.

Problem	Solution
The display on the refrigerator door isn't turning on.	<ul style="list-style-type: none"> – Check that the mains plug is inserted and switched on at the power point. – Check that the relevant fuse hasn't blown.
The fridge compartment isn't cool enough.	<ul style="list-style-type: none"> – Adjust the temperature setting to a lower temperature. – Try to limit the number of times the door is opened and closed. – Review the location of the fridge. Ensure it is located internally, away from heat sources and out of direct sunlight.
The refrigerator is making too much noise.	<ul style="list-style-type: none"> – Ensure that the fridge is located on a hard, solid and flat surface. – Ensure that the fridge has the required clearances above, at the rear and at the sides.
Food is freezing within the refrigerator.	<ul style="list-style-type: none"> – Ensure that the fridge setting isn't too low. – Ensure that food isn't located at the rear near the compressor air inlet.
An odour is coming from the refrigerator.	– Follow the cleaning instructions within this manual to remove any residual food scraps.
The refrigerator is making some irregular sounds.	– This is completely normal for all refrigeration appliances.
The fridge door has condensation.	– This is normal when the humidity of the environment is high. Please wipe the door using a dry cloth.

The doors have become out of alignment (or not level at the top).



Before adjusting the height of the door, use a wrench to rotate the downward adjusting nut (shown above) counter clockwise for 2 turns. Rotate the upward adjusting nut allowing you to adjust the door height, followed by readjusting the downward adjusting nut to lock the door in its new position.

– Note: Total door height adjustment is 5mm.

Note:

If the above steps don't resolve your issue or you cannot resolve the fault by yourself:

- Switch the refrigerator off at the power outlet and remove the plug.
- Call our customer service team.
- If asked for the serial number of your refrigerator, it is located on the appliance rating plate located on the rear of your refrigerator.

Warranty

WARRANTY TERMS & CONDITIONS REFRIGERATION

This document sets out the terms and conditions of the product warranties for Residentia Group Appliances. It is an important document. Please keep it with your proof of purchase documents in a safe place for future reference should you require service for your Appliance.

1. In this warranty
 - (a) 'acceptable quality' as referred to in clause 10 of this warranty has the same meaning referred to in the ACL;
 - (b) 'ACL' means Trade Practices Amendment (Australian Consumer Law) Act (No.2) 2010;
 - (c) 'Appliance' means any Residentia Group product purchased by you accompanied by this document;
 - (d) 'ASR' means Residentia Group authorised service representative;
 - (e) 'Residentia Group' means Residentia Group Pty Ltd of 118 Campbell Street Collingwood 3066, ACN 600 546 656 in respect of Appliances purchased in Australia;
 - (f) 'major failure' as referred to in clause 10 of this warranty has the same meaning referred to in the ACL and includes a situation when an Appliance cannot be repaired or it is uneconomic for Residentia Group, at its discretion, to repair an Appliance during the Warranty Period;
 - (g) 'Warranty Period' means:
 - (i) where the Appliance is used for personal, domestic or household use (i.e. normal single family use) as set out in the instruction manual, the Appliance is warranted against manufacturing defects for 24 months, following the date of original purchase of the Appliance;
 - (h) 'you' means the purchaser of the Appliance not having purchased the Appliance for re-sale, and 'your' has a corresponding meaning.
2. This warranty only applies to Appliances purchased and used in Australia and is in addition to (and does not exclude, restrict, or modify in any way) any non-excludable statutory warranties in Australia.
3. During the Warranty Period Residentia Group or its ASR will, at no extra charge if your Appliance is readily accessible for service, without special equipment and subject to these terms and conditions, repair or replace any parts which it considers to be defective. Residentia Group or its ASR may use remanufactured parts to repair your Appliance. You agree that any replaced Appliances or parts become the property of Residentia Group. This warranty does not apply to light globes, batteries, filters or similar perishable parts.
4. Parts and Appliances not supplied by Residentia Group are not covered by this warranty.

Warranty Continued

5. You will bear the cost of transportation, travel and delivery of the Appliance to and from Residentia Group or its ASR. If you reside outside of the service area, you will bear the cost of:
 - (a) travel of an authorised representative;
 - (b) transportation and delivery of the Appliance to and from Residentia Group or its ASR, in all instances, unless the Appliance is transported by Residentia Group or its ASR, the Appliance is transported at the owner’s cost and risk while in transit to and from Residentia Group or its ASR.
6. Proof of purchase is required before you can make a claim under this warranty.
7. You may not make a claim under this warranty unless the defect claimed is due to faulty or defective parts or workmanship. Residentia Group is not liable in the following situations (which are not exhaustive):
 - (a) the Appliance is damaged by:
 - (i) accident
 - (ii) misuse or abuse, including failure to properly maintain or service
 - (iii) normal wear and tear
 - (iv) power surges, electrical storm damage or incorrect power supply
 - (v) incomplete or improper installation
 - (vi) incorrect, improper or inappropriate operation
 - (vii) insect or vermin infestation
 - (viii) failure to comply with any additional instructions supplied with the Appliance;
 - (b) the Appliance is modified without authority from Residentia Group in writing;
 - (c) the Appliance’s serial number or warranty seal has been removed or defaced;
 - (d) the Appliance was serviced or repaired by anyone other than Residentia Group, an authorised repairer or ASR.
8. This warranty, the contract to which it relates and the relationship between you and Residentia Group are governed by the law applicable where the Appliance was purchased.
9. To the extent permitted by law, Residentia Group excludes all warranties and liabilities (other than as contained in this document) including liability for any loss or damage whether direct or indirect arising from your purchase, use or non use of the Appliance.
10. For Appliances and services provided by Residentia Group in Australia, the Appliances come with a guarantee by Residentia Group that cannot be excluded under the Australian Consumer Law. You are entitled to a replacement or refund for a major failure and for compensation for any other reasonably foreseeable loss or damage. You are also entitled to have the Appliance repaired or replaced if the Appliance fails to be of acceptable quality and the failure does not amount to a major failure. The benefits to you given by this warranty are in addition to your other rights and remedies under a law in relation to the Appliances or services to which the warranty relates.
11. At all times during the Warranty Period, Residentia Group shall, at its discretion, determine whether repair, replacement or refund will apply if an Appliance has a valid warranty claim applicable to it.
12. To enquire about claiming under this warranty, please follow these steps:
 - (a) carefully check the operating instructions, user manual and the terms of this warranty;
 - (b) have the model and serial number of the Appliance available;
 - (c) have the proof of purchase (e.g. an invoice) available;
 - (d) telephone the numbers shown below.
13. You accept that if you make a warranty claim, Residentia Group and its ASR may exchange information in relation to you to enable Residentia Group to meet its obligations under this warranty.

IMPORTANT

Before calling for service, please ensure that the steps in point 12 have been followed.

Telephone contacts

- ▶ Service: Please call 1300 11 HELP (4357)
- ▶ Spare Parts: Please call 1300 11 SPARE (7727)

The Australian Consumer Law requires the inclusion of the following statement with this warranty:

Our goods come with guarantees that cannot be excluded under the Australian Consumer Law. You are entitled to a replacement or refund for a major failure and for compensation for any other reasonably foreseeable loss or damage. You are also entitled to have the goods repaired or replaced if the goods fail to be of acceptable quality and the failure does not amount to a major failure.

This page has been
left intentionally blank.

This page has been
left intentionally blank.

A HIGHER LEVEL

INALTO

OF REFRIGERATION

A Residentia Group Initiative

—
WWW.RESIDENTIA.GROUP



E2447