

90cm Freestanding Dual Fuel Cooker with Brass Burners

MODEL / IUC9010S

OVEN FEATURES

- 10 functions
- 115L oven capacity
- Pillar design
- Twin fans for quick pre-heat
- Cavity cooling system
- Stainless steel & black glass finish
- Programmable LED timer
- Knobs and touch controls
- Thermostatically controlled grill
- Two lights
- Storage drawer compartment

COOKTOP FEATURES

- 5 Italian made Sabaf burners
— including 1 wok burner
- Heavy duty cast iron trivets
- Easy-slide trivet design
- Brass burners

10 × COOKING FUNCTIONS

- Light, Bake (Conventional),
Fan-forced, Fan Assist, Fan
Forced Bake, Roast, Full Grill, Half
Grill, Pastry bake + Pizza, Defrost

ACCESSORIES

- Enamelled baking tray
- Two wire racks
- Rotisserie
- LPG conversion kit
and LPG test point

CLEANING

- Easy to remove door with
quick release hinges
- Easy to clean enamelling
oven interior
- Quick release, heavy duty
chrome side racks
- Self-cleaning catalytic liners

PRODUCT DIMENSIONS

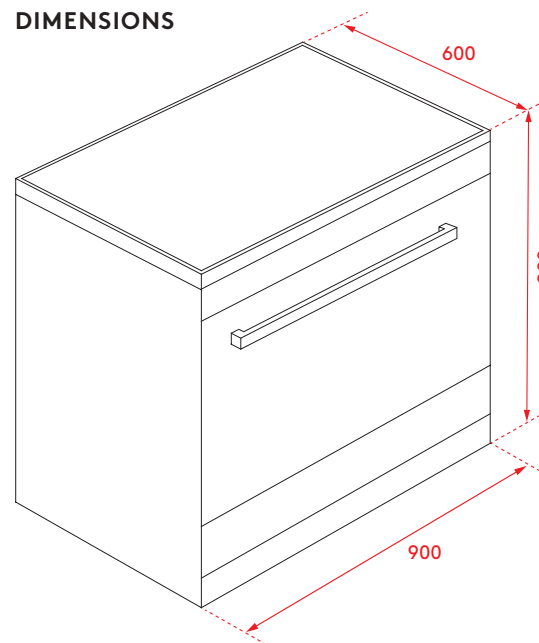
- Packaged (w, d, h mm):
935 × 697 × 1010mm
- Physical (w, d, h mm):
895 × 597 × 858–918 mm
- Weight (gross/net):
96kg/81kg

SAFETY

- Triple glazed door



DIMENSIONS



DETAIL



ALL INALTO PRODUCTS COME WITH A 2 YEAR WARRANTY. AUSTRALIAN CUSTOMERS ARE ELIGIBLE TO RECEIVE 1 EXTRA YEAR FOR FREE, SIMPLY REGISTER ONLINE WITHIN 90 DAYS OF PURCHASE

WWW.INALTO.HOUSE/REGISTRATION