

60cm Cooking Pack Fan-forced Oven & Gas Cooktop

PACK / IOG6



COOKTOP / ICGW61F

4 burners inc. 1 wok burner
304 grade stainless steel finish
Electronic under-knob ignition
Stainless steel control knobs
Cast iron trivets
Natural gas or LPG
Flame failure safety device
Italian made Defendi burners

COOKTOP ACCESSORIES

Regulator
LPG Conversion Kit
LPG Test Point

EAN

9349260002401

OVEN / IO64.1

65 litre capacity
S/steel & black optical glass
120 minute manual timer
Cavity cooling system
Matt black, brushed steel handle
Triple glazed cool touch door
5 x cooking functions

ACCESSORIES

Enamelled baking tray
Chrome baking tray insert
Chrome shelf with safety lock

COOKTOP DIMENSIONS

Physical (w, d, h mm):

580 x 500 x 40

Weight (gross):

10.2kg

COOKTOP OUTPUTS (MJ)

Triple ring wok burner:

1 x 6.3 - 14.4 MJ

Semi rapid burners:

2 x 3.24 - 6.5 MJ

Auxilliary burner:

1 x 1.8 - 3.8 MJ

OVEN DIMENSIONS

Physical (w, d, h mm):

595 x 575 x 595

Weight (Gross):

42kg

OVEN REQUIREMENTS

Supplied with 15 amp plug.

Energy consumption per 24hrs:

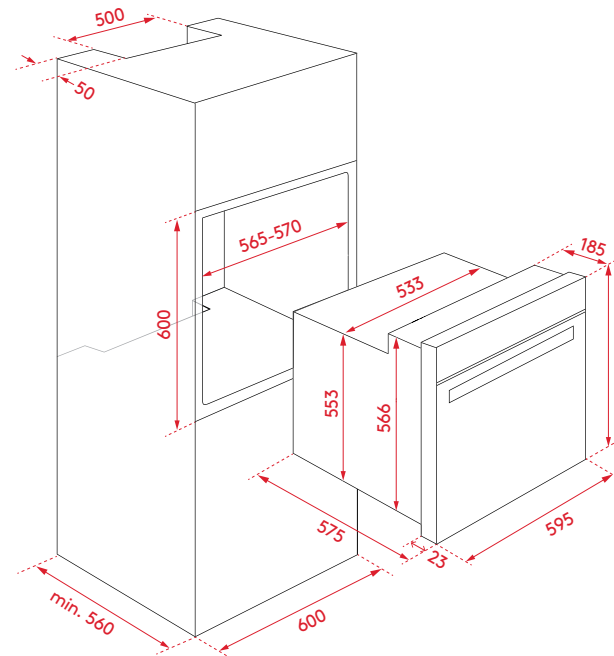
3.1 kWh

PACKAGE WEIGHT

44kg

INSTALLATION

See below diagram



ALL INALTO PRODUCTS COME WITH A 2 YEAR WARRANTY. AUSTRALIAN CUSTOMERS ARE ELIGIBLE TO RECEIVE 1 EXTRA YEAR FOR FREE, SIMPLY REGISTER ONLINE WITHIN 90 DAYS OF PURCHASE

WWW.INALTO.HOUSE/REGISTRATION

