

90cm Ceramic Cooktop

IE92T

ACCESSORIES

Sealing strip (already attached to cooktop underside)

FEATURES

5 radiant zones

Touch controls with slider functionality

Frameless glass design with bevelled edges

Radiant heating elements

Timer functionality to each zone

BURNER OUTPUTS (KW)

Front left: 1.8kW radiant zone

Front right: 1.0/2.1kW radiant zone (extendable)

Centre: 1.4/2.2kW radiant zone (extendable)

Rear left: 0.7/1.7kW zone (extendable)

Rear right: 1.2kW zone

CLEANING

Durable European made Schott Ceran glass

Single piece of glass

SAFETY

Residual heat indicator lights

Child lock function

REQUIREMENTS

Rated Voltage:

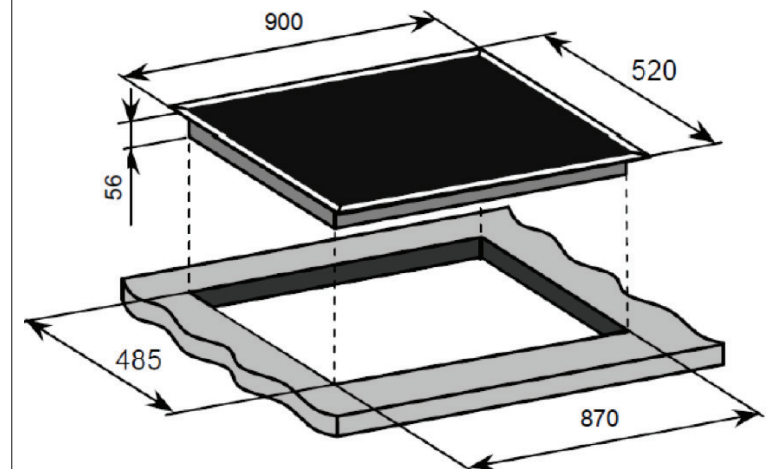
▷ 220-240V, 50/60 Hz

Current requirements:

▷ 40A

Hard-wired installation

INSTALLATION



PRODUCT DIMENSIONS

Packaged (w, d, h mm):

▷ 952 x 570 x 120mm

Physical (w, d, h mm):

▷ 900 x 520 x 56mm

Weight:

▷ 14kg

WARRANTY

24 Months

