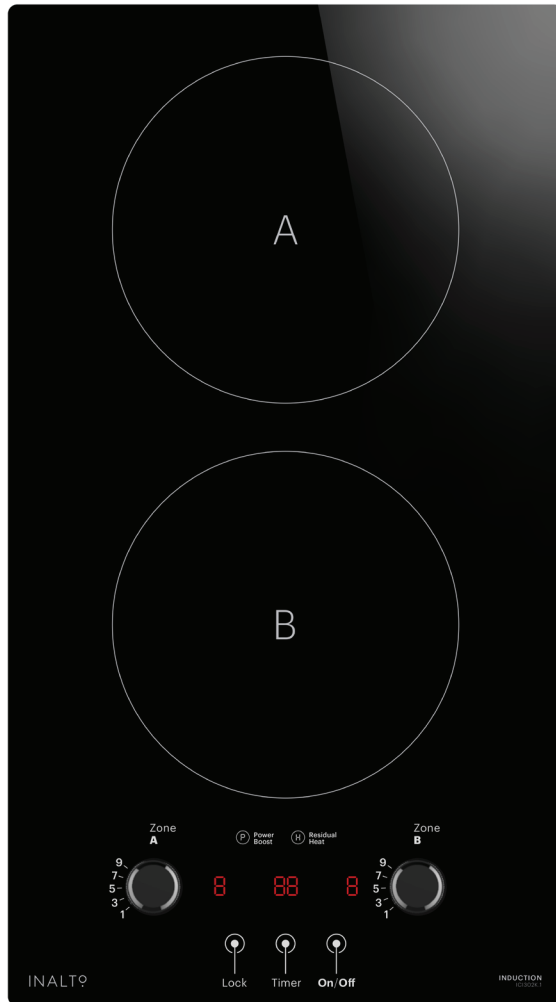


# 30cm Induction Cooktop, Knob Control

MODEL / ICI302K.1



## FEATURES

- 2 cooking zones
- Durable ceramic glass
- 9 stage power levels
- Touch & Knob controls
- Power Boost function
- Residual Heat Indicators
- 99 min auto safety cut-off
- Pan sensor
- Child Lock
- Frameless

## REQUIREMENTS

- Single-phase power
- Rated Voltage:  
220-240V, 50/60 Hz
- Hard-wired installation
- Maximum Power:  
3500W

## BURNER OUTPUTS (KW)

- 2 x 180mm\*
- 1.8-2.0kW induction zones
- \* Boost to all zones

## PRODUCT DIMENSIONS

Packaged (w, d, h mm):

610 x 392 x 142mm

Physical (w, d, h mm):

288 x 520 x 59.5mm

Weight (net/gross):

4.3kg/5.3kg

## SAFETY

- Induction technology (not radiant)
- Child lock function
- 99 min auto safety cut-off

## CLEANING

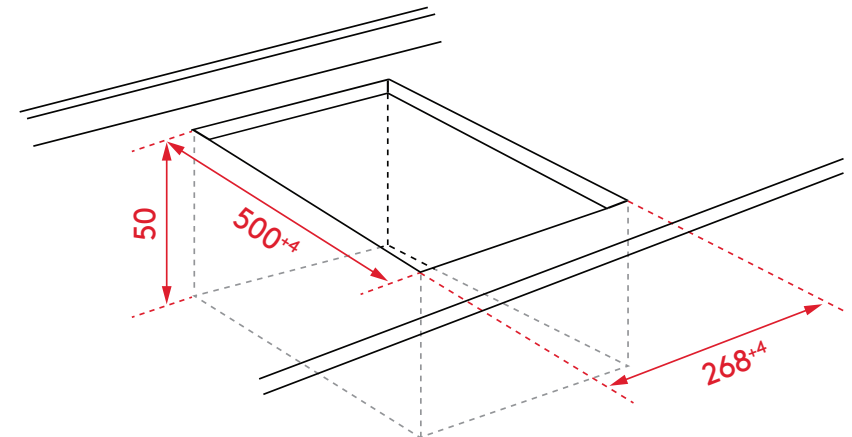
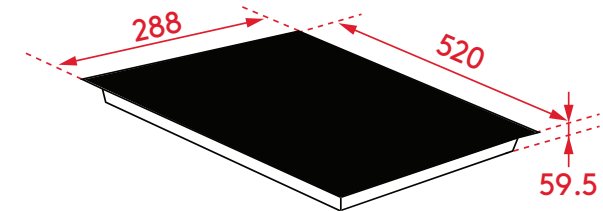
- Ceramic glass
- Single piece of glass

## EAN

9349260098169

## INSTALLATION

See below diagram



ALL INALTO PRODUCTS COME WITH A 2 YEAR WARRANTY. AUSTRALIAN CUSTOMERS ARE ELIGIBLE TO RECEIVE 1 EXTRA YEAR FOR FREE, SIMPLY REGISTER ONLINE WITHIN 90 DAYS OF PURCHASE

[WWW.INALTO.HOUSE/REGISTRATION](http://WWW.INALTO.HOUSE/REGISTRATION)