

BBQ Canopy Rangehood

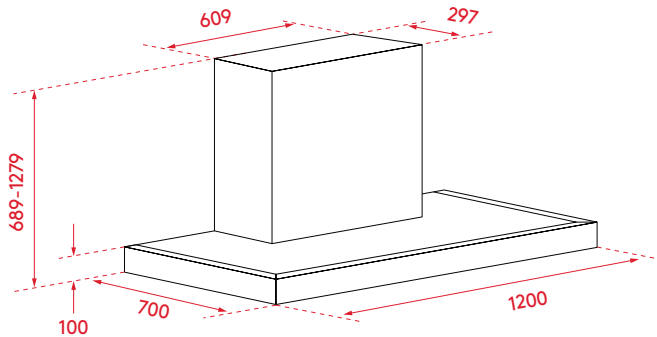


FEATURES

Powerful 2000m³/hr extraction, 304 grade s.steel,
Dishwasher safe baffle filters, 6 LED lights, 3 Speed settings,
2 x Pressure die cast aluminium motor

Congratulations on your new InAlto BBQ Canopy Rangehood!

INSTALLATION



Please refer to the dimensions of your rangehood shown in the diagram.

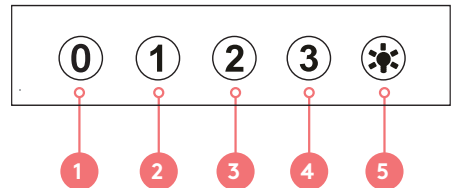
When positioning the rangehood for installation and use, we advise that the rangehood is mounted at a height of between 600–800mm above the cooking surface for safety and performance of your rangehood.

For a complete installation guide, refer to user manual pages 10–13.

THE CONTROLS

Your Box Canopy Rangehood Controls

- 1 Off button
- 2 Low speed setting
- 3 Medium speed setting
- 4 High speed setting
- 5 Light on / off control



For a complete guide on operating your rangehood, refer to user manual on page 14.

DETAILS

Product Size (W, D, H):
1200mm x 700mm x 689 - 1279mm

SUPPORT

Telephone: 1300 11 4357
Email: support@residentiagroup.com.au